

Alternator Swing Bracket Part Number BKTDLCL

Fits Long Case 7.13" GM Delco Generator Mounts.

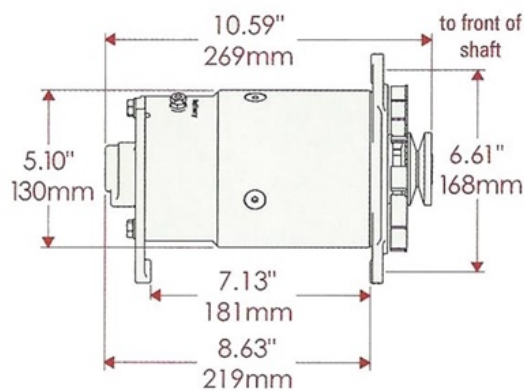
Designed to fit Delco 10Si, 12Si & CS130 alternators found in most GM vehicles from 1973-1981.

Includes: Swing style mounting bracket, 1- 3/8"-16x3" bolt, 1-5/16"-18x1" 1- 3/8"x16 nut, + washers.

Also includes metric M8-1.25 used to mount the CS130 alternators.

When replacing your generator with our alternator kit you will bolt the large U of the swing bracket to your original generator bracket, then mount the alternator to the small U with hardware provided.

Most applications you can reuse the original belt tension rod. You may have to grind some material off or you may have to flip the bracket to clear the fan.



Note: Use proper tightening procedures for all mounting hardware.

Be careful working around rotating engine parts, loose clothing and fingers can get caught and cause injury.